



Smarter. Greener. Together.



The power behind competitiveness

Delta H7U

Photovoltaic Multimode Inverter
H7U



Product Features

- 97.5% maximum efficiency
- Widest input voltage range 30-500Vdc
- Secure Power Supply Operation
- 4 MPP Trackers provide numerous design options.
- Shade management with global peak MPP tracking
- Optional rapid shutdown box
- Integrated AFCI meets the requirements of NEC 2011
- Built-in DC safety switch
- Detachable wiring box
- TYPE 4X protection level



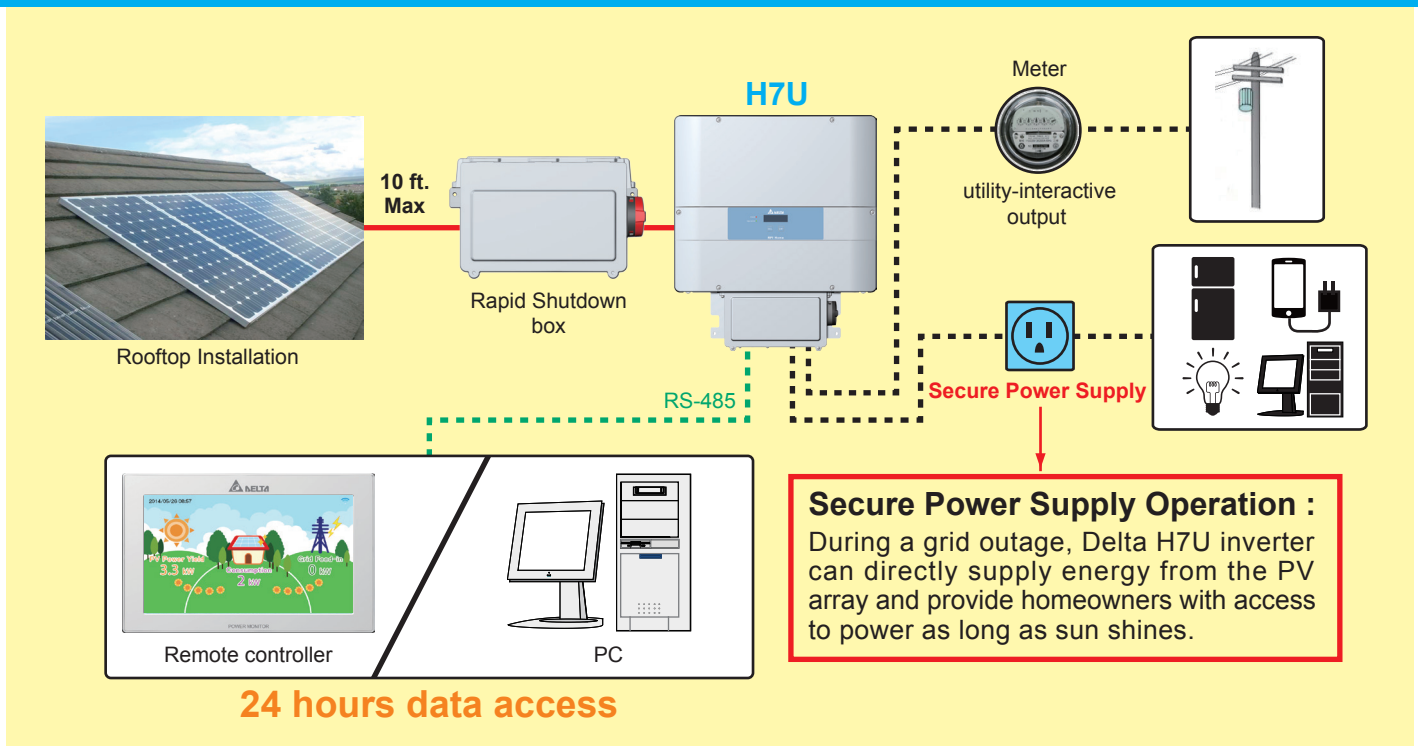
Delta H7U Inverter

Easy to use. Flexible. Robust.

Delta H7U inverter with UL certification is the versatile and innovative single phase inverter with impressive MPPT operating range in the market. Maximum power production is derived from terrific wide input range (30~500Vdc) and up to 97.5% peak efficiency. Thanks to 4 MPP trackers design, Delta H7U inverter can generate more power from solar and be more flexible for different scale of PV systems and applications. Multiple MPP trackers and shade tracking function mitigate the effect of shade and maximize power harvesting on the field. Delta H7U inverter impresses with its high protection class up to TYPE 4X level.

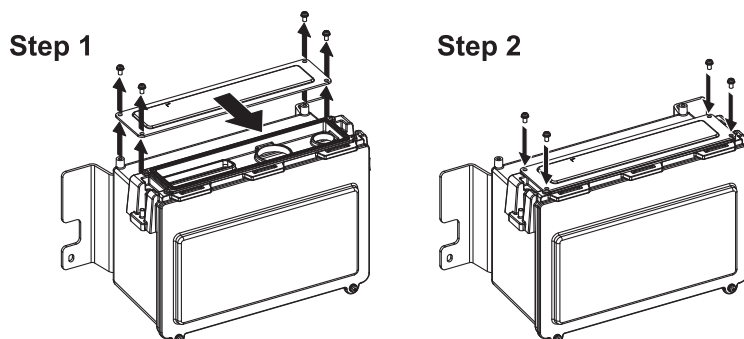
What makes Delta H7U unique is its ability to supply smaller household appliances with secure power supply function during a grid outage. Furthermore, H7U offers nighttime communication function which allows user to access inverter anytime. Delta also offer rapid shutdown box to comply with NEC 2014 code. With all these unique features and design, Delta H7U inverter is setting performance standard and leading the way in technology for private residential PV system.

Unique Features



Detachable wiring box

Simply and efficiently disassemble inverter without removing wiring box for maintenance.



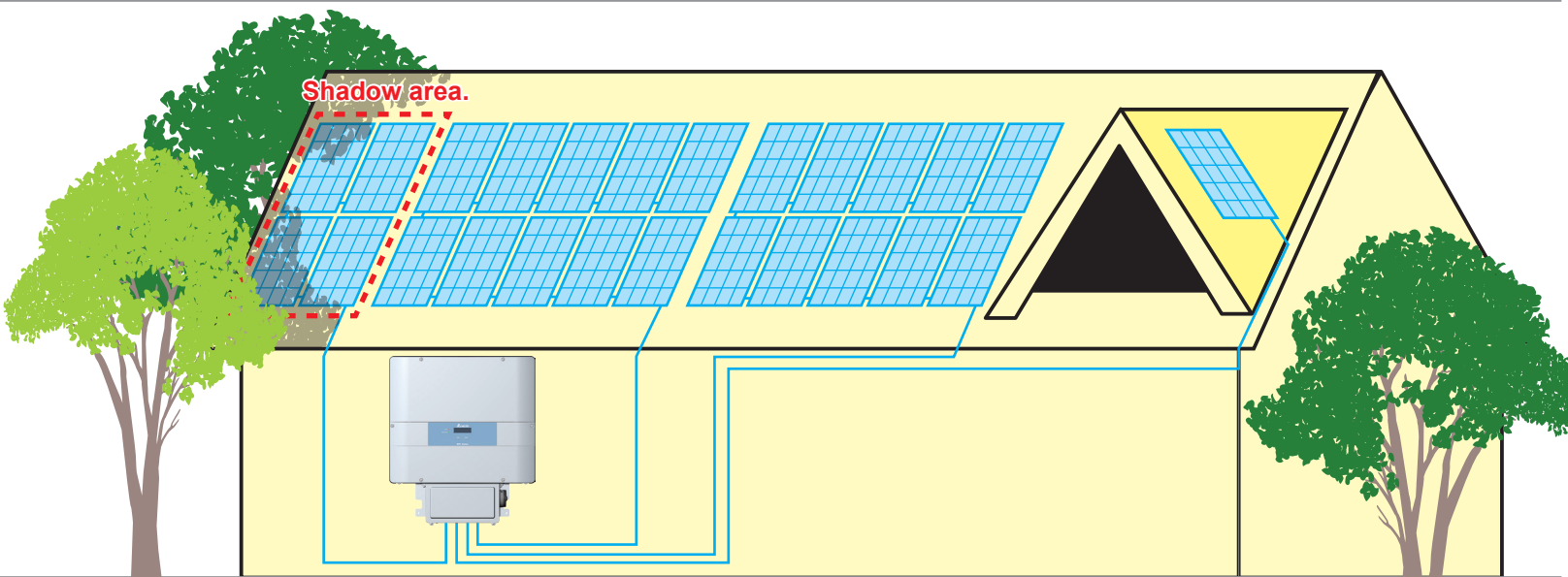
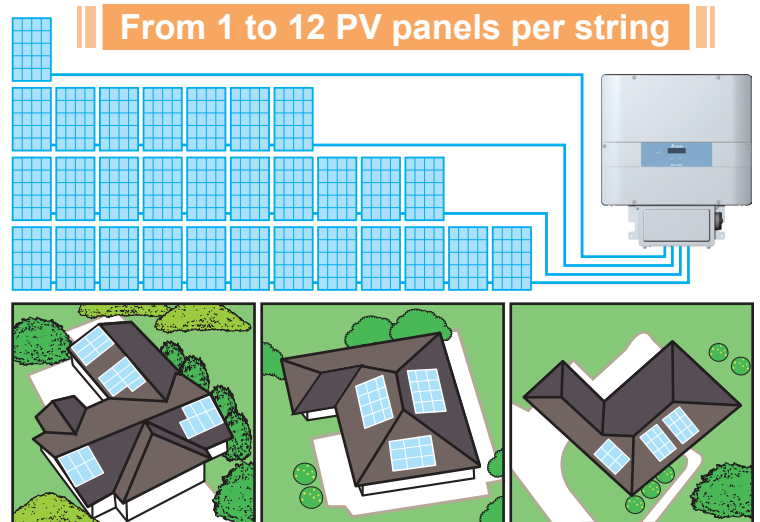
Maximize Energy Harvesting & Flexibility

Up to 4 MPPT

- Optimal use of roof surfaces
- Unbalance input per MPPT

Wide input range

- 30-500Vdc input range
- Configurable DC input per MPPT from 250W~3kW



Shade MPPT function:

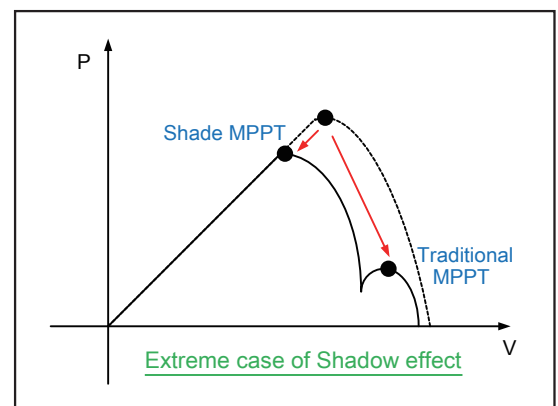
No more shading issue

We ensure optimal yields in partial shading condition even with moving shade.

Time zone selectable : morning / noon / afternoon / all day
Scan interval : 20~120 minutes.

Shade tracker:

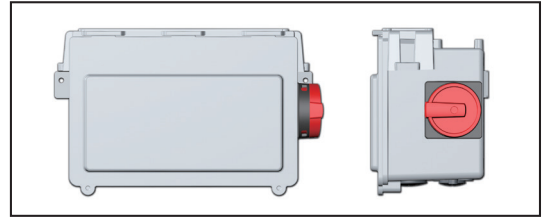
The shade management quickly adjusts for changes in solar irradiation and optimum peak MPP tracking efficiency.



Configuration with Rapid shutdown Box

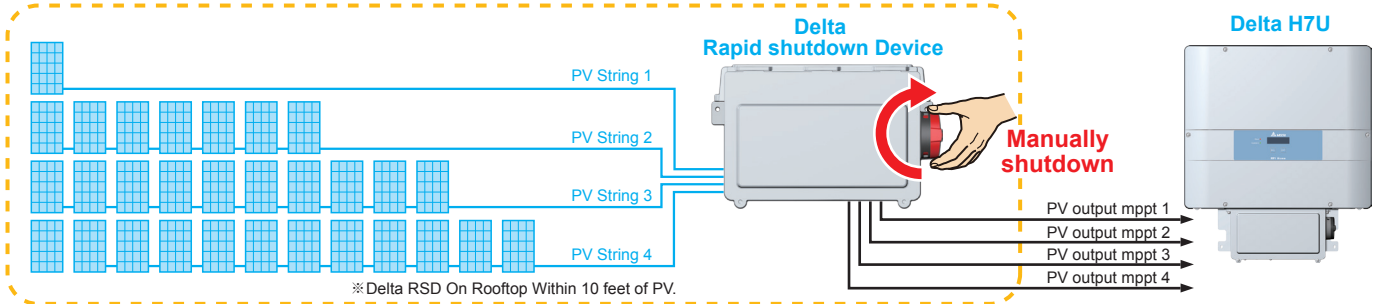
Rapid shutdown Box solution available:

With 4 strings capability , AC sync. Protection. The ultimate solution for NEC 2014 code (690.12) compliance.

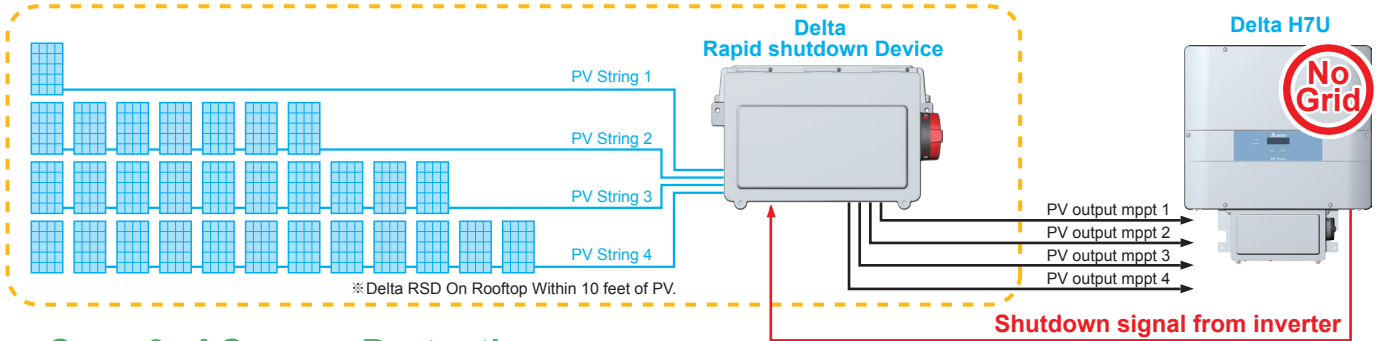


Rapid shutdown devices application

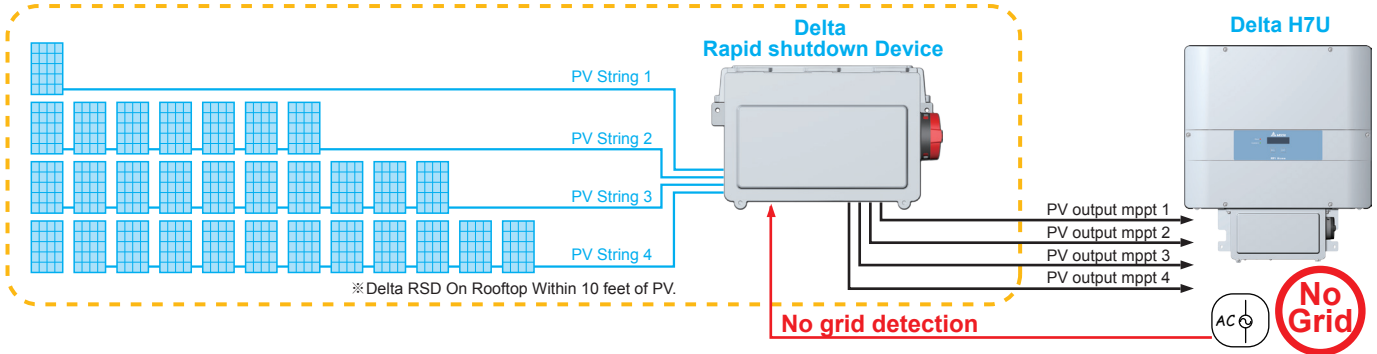
• Case 1 Manually shutdown



• Case 2 AC sync. Protection

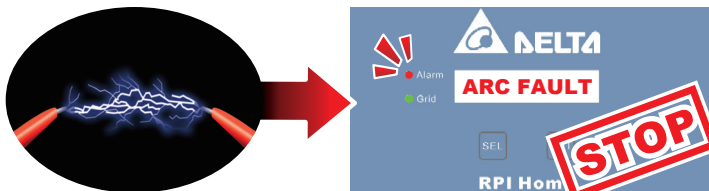


• Case 3 AC sync. Protection



AFCI integrated:

DC arc-fault detection and interrupt with 4 strings solar panels.




Prevention and consequences



Delta Home Series

Technical Specifications

Model	RPI H7U		
DC Input	Max. DC input per string	~3.0 kW *	
	Max. input voltage	500V	
	Recommended PV Power	8400W	
	Operating voltage range	30~500V	
	MPP voltage range, Full power	160~470V(208Vac) / 185~470V(240Vac)	
	Start voltage	>35V	
	Rated voltage	320Vdc(208Vac) / 370Vdc(240Vac)	
	MPP tracker	4	
	Max. input current	40A (Per MPP tracker 10A)	
	DC Disconnection type	Switch	
AC Output	Max. output power **	6000W / 6000VA	7000W / 7000VA
	Max. output current	30A	30A
	Rated voltage	208V	240V
	Operating voltage range	183V - 229V	211V - 264V
	Operating frequency range	59.3~60.5Hz (55~65Hz adjust)	
	Power factor	1 (0.8ind~0.8cap adjustable)	
	THD	<3%	
	Night time consumption ***	<1W	
Efficiency	Peak efficiency	97.5%	
	CEC efficiency	97%	
Information	AFCI Detection	YES	
	Communication port	RS-485 / Ethernet & Wi-Fi (optional)	
	Display	16 x 2 LCD	
	Rapid shutdown device	YES	
Certification	UL 1741	UL1998	
	IEEE1547.1 / IEEE1547.A	UL1699B	
	CSA-C22.2 N.107.1-01	FCC part 15 class B	
General Data	Operating temp. range	-13°F~140°F (-25~60°C)	
	Protection level	TYPE 4X	
	Operating elevation	<6561 ft. (<2000m)	
	Cooling	Natural cooling	
	Dimension in (W x H x D, mm)	20.1 x 23.3 x 6.9 (510 x 592 x 177)	
	Weight lb (kg)	60 lb (27 kg)	
	Warranty	10 years	

- * May vary depending on actual PV system installation and condition.
- ** Max. output power at $\leq 104^{\circ}\text{F}(40^{\circ}\text{C})$, de-rating power at $104^{\circ}\text{F}(40^{\circ}\text{C})$
- *** Night time consumption with standby communication & display
- All specifications are subject to change without prior notice.

DELTA PRODUCTS CORPORATION, INC.

46101 Fremont Blvd.

Fremont, CA 94538

Sales Email: Inverter.Sales@delta-corp.com

Sales Hotline: 1.877.440.5851 | 1.626.369.8021

Support Email: Inverter.Support@delta-corp.com

Support Hotline: 1.877.442.4832 | 1.626.369.8019



